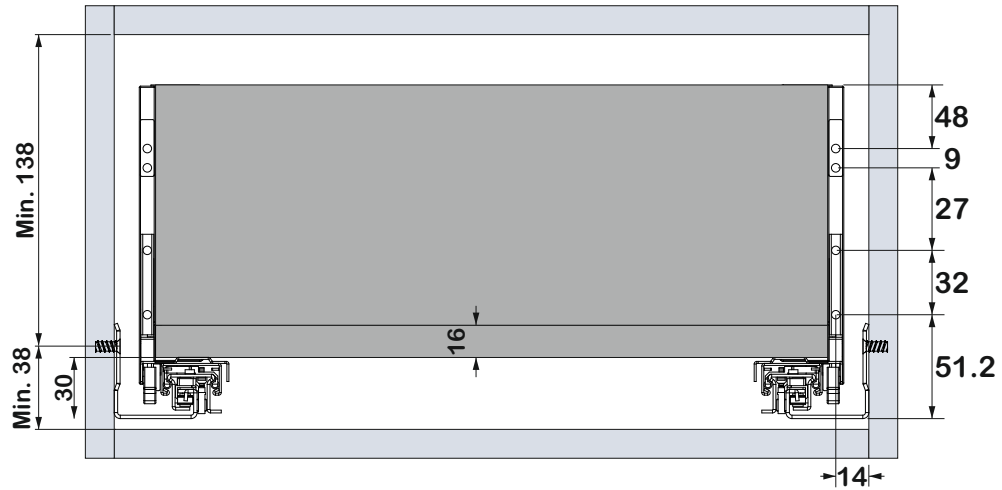
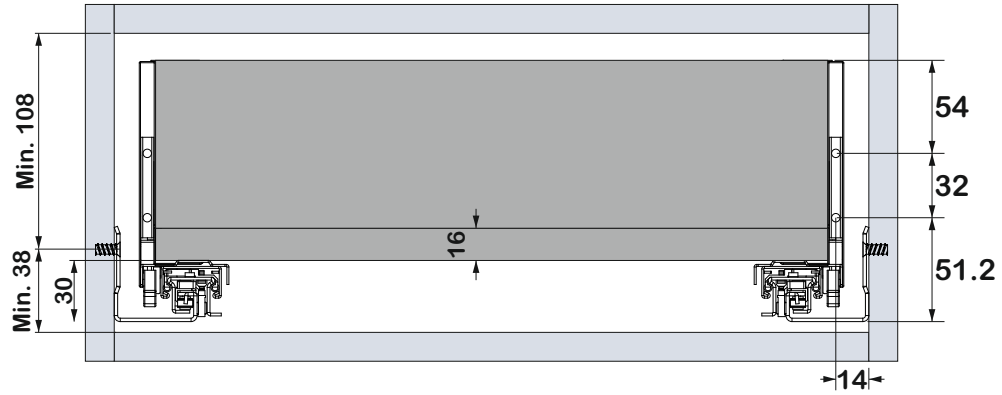
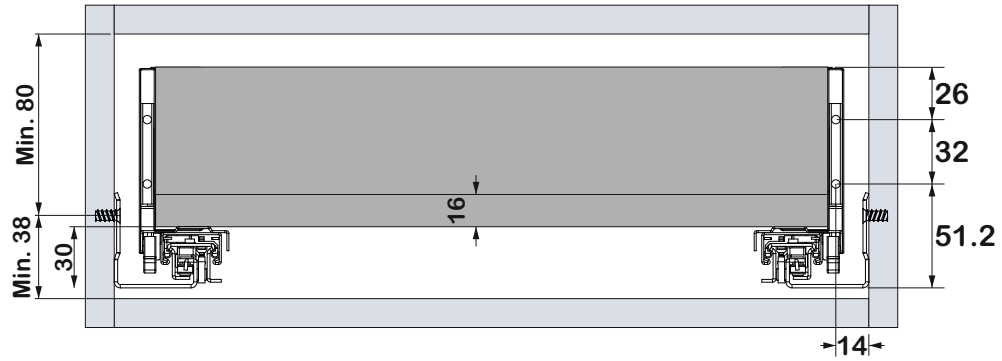
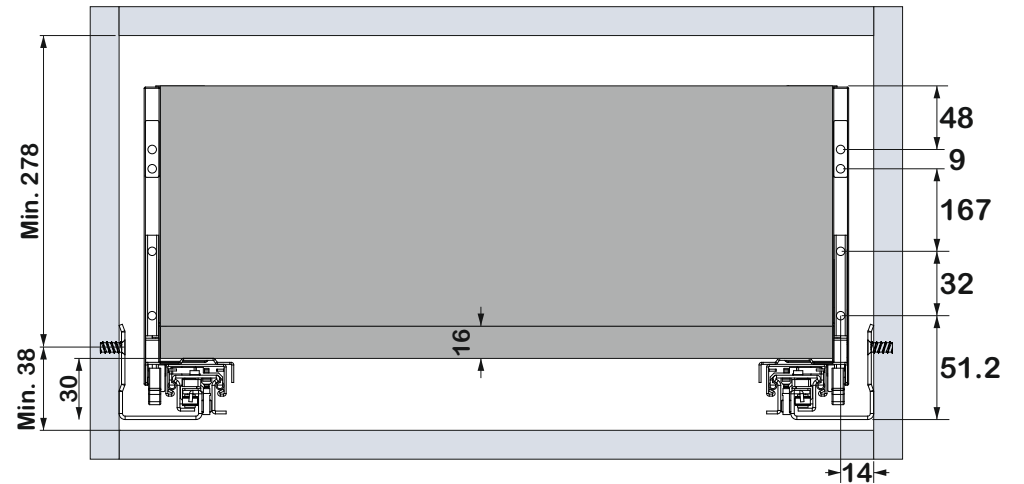
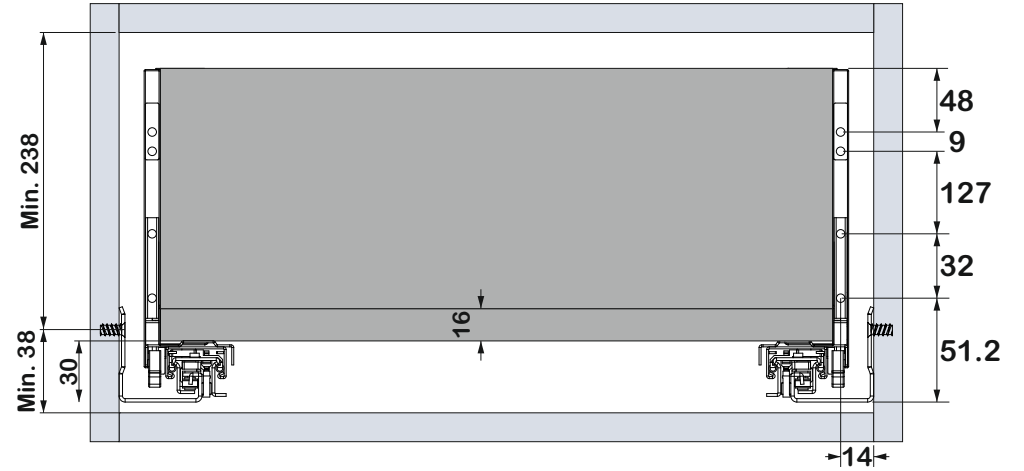
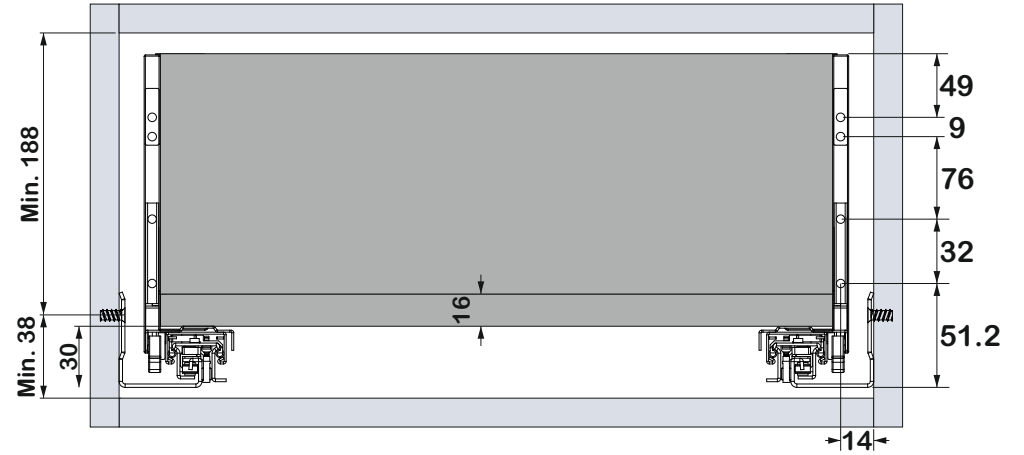


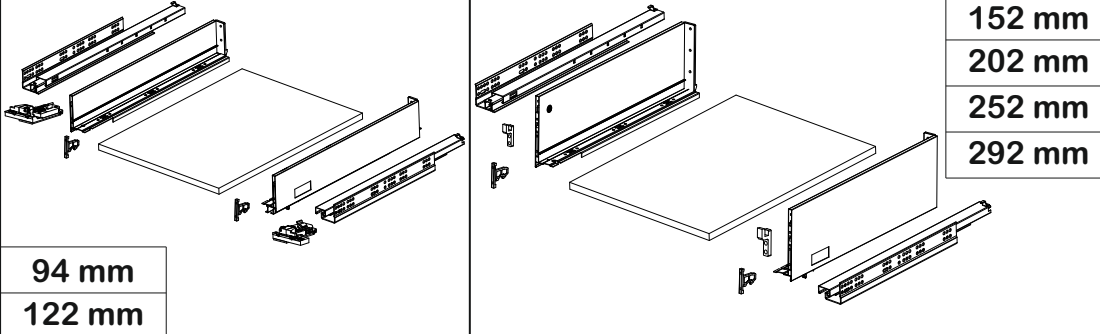
Front panel installation dimensions 94mm / 122mm / 152mm



Front panel installation dimensions 202mm / 252mm / 292mm



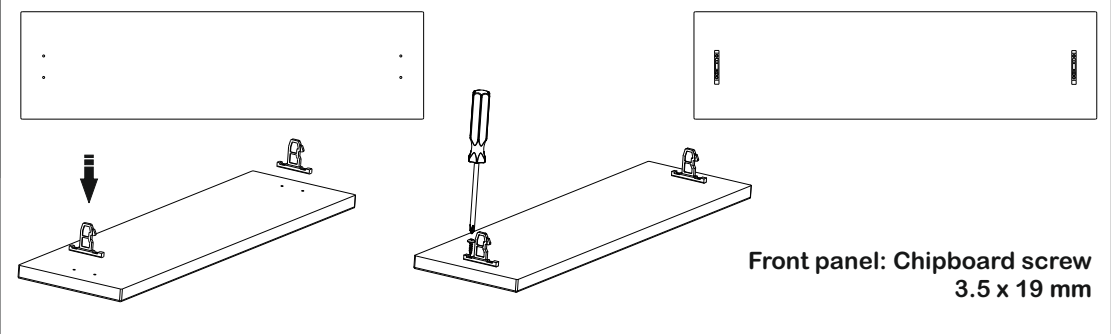
Bottom And Back Panel Fitting



94 mm
122 mm

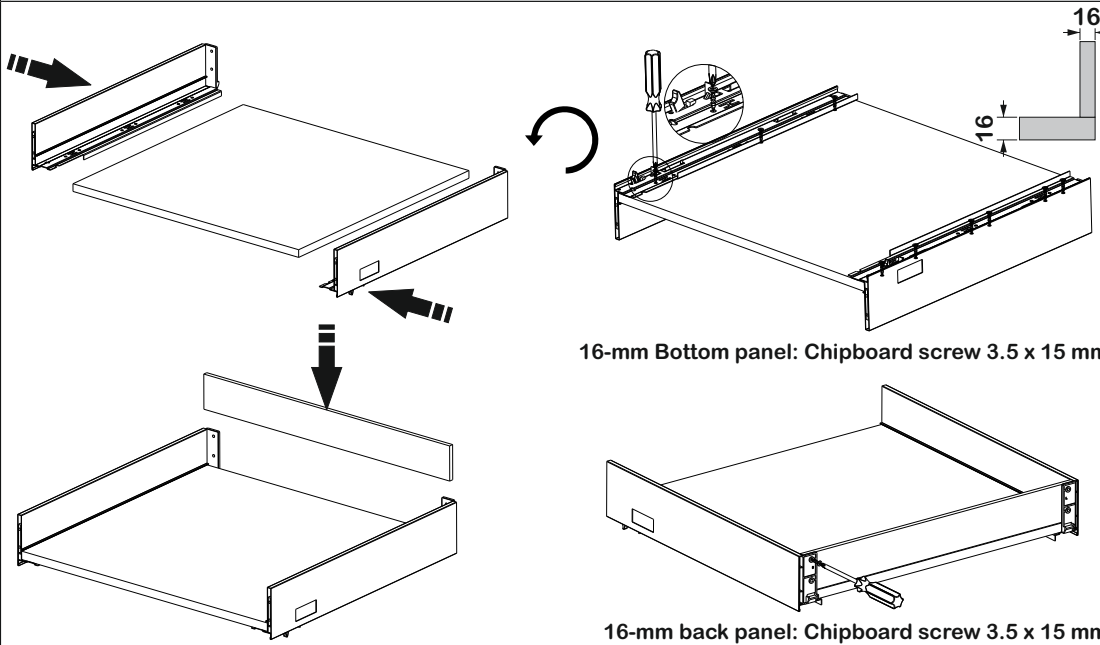
152 mm
202 mm
252 mm
292 mm

Front Panel Holder Fitting 94mm / 122mm



Front panel: Chipboard screw
3.5 x 19 mm

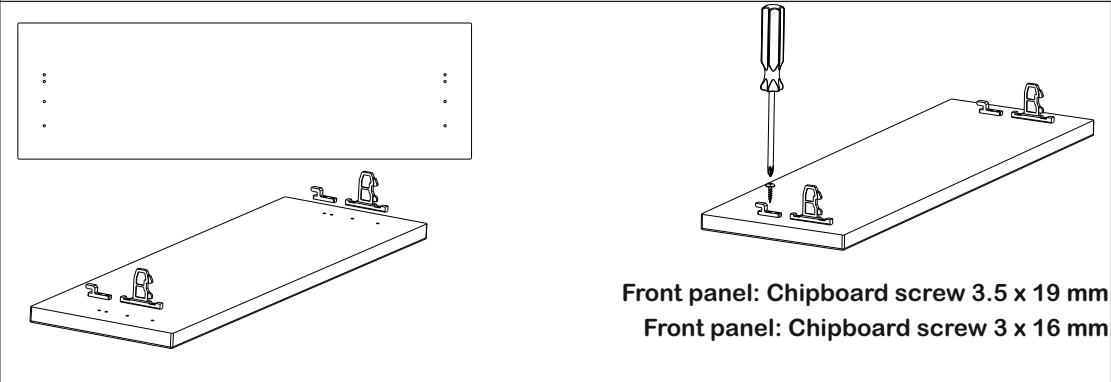
Bottom And Back Panel Fitting



16-mm Bottom panel: Chipboard screw 3.5 x 15 mm

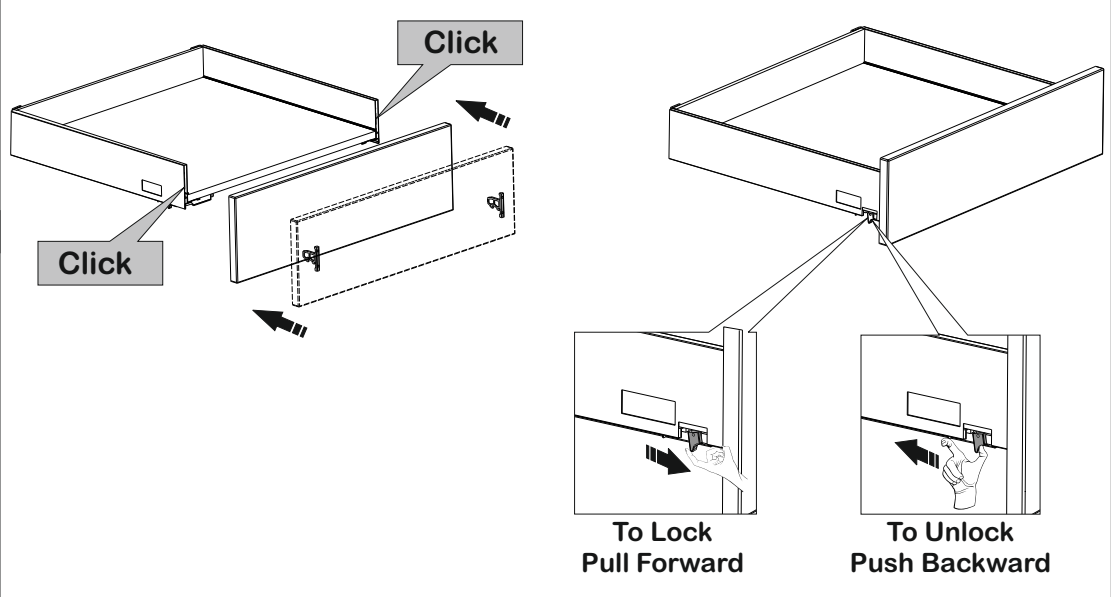
16-mm back panel: Chipboard screw 3.5 x 15 mm

Front Panel Holder Fitting 152mm / 202mm / 252mm / 292mm



Front panel: Chipboard screw 3.5 x 19 mm
Front panel: Chipboard screw 3 x 16 mm

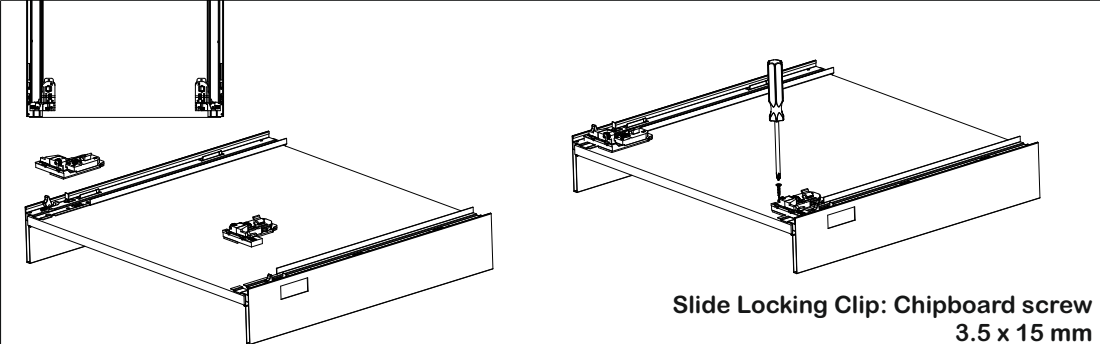
Front Panel Fitting Lock & Unlock 94mm / 122mm



To Lock
Pull Forward

To Unlock
Push Backward

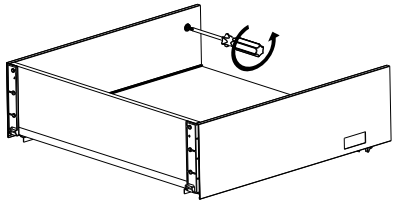
Slide Locking Clip Fitting



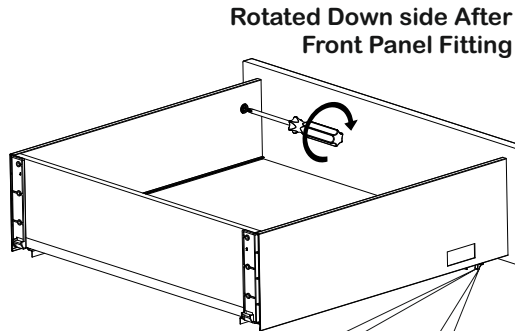
Slide Locking Clip: Chipboard screw
3.5 x 15 mm

Front Panel Fitting Lock & Unlock 152mm / 202mm / 252mm / 292mm

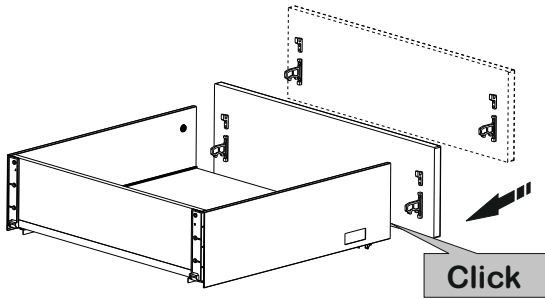
Drawer Adjustment



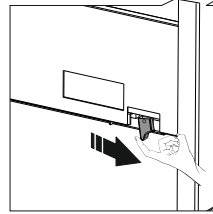
Rotated up side Before Front Panel Fitting



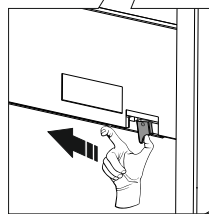
Rotated Down side After Front Panel Fitting



Click



To Lock
Pull Forward

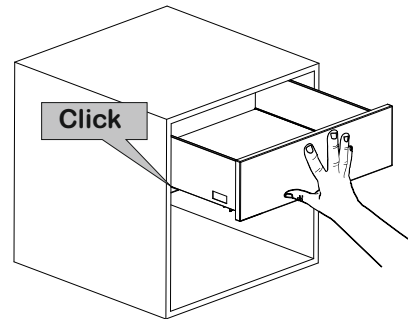
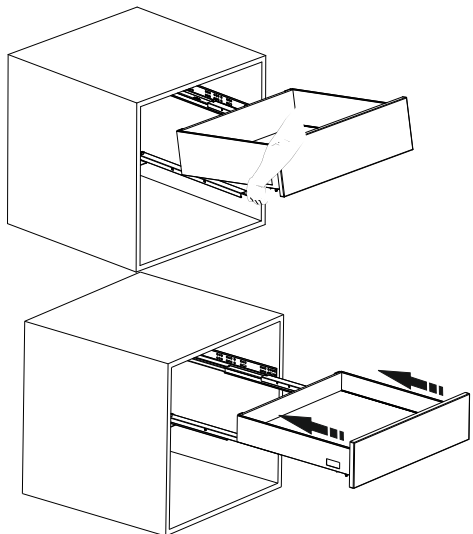


To Unlock
Push Backward

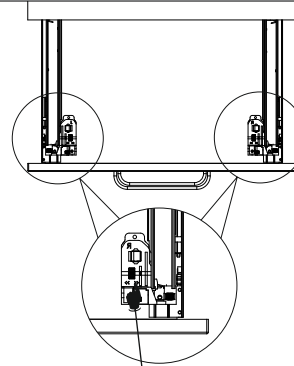
Note :- After Shutter Fitting use this handle to lock front Panel tightly.

Drawer Fitting With Slide

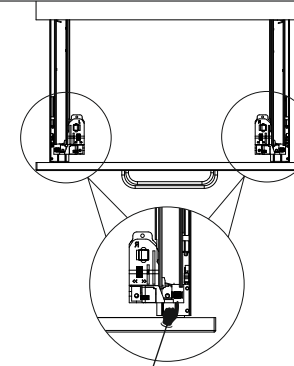
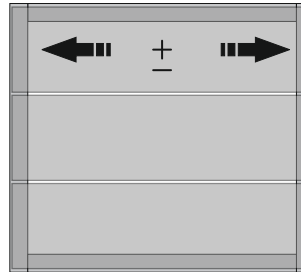
Place the drawer on the extended slides.
Slide the drawer into the cabinet - The drawer will lock automatically!



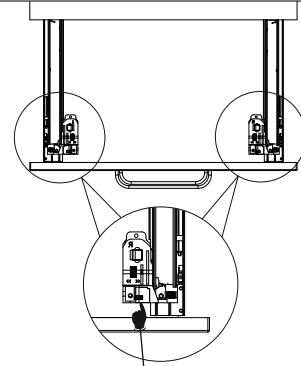
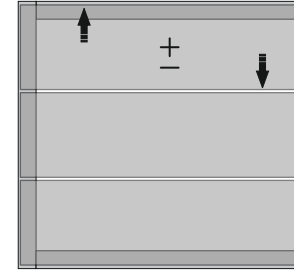
Push To Lock



To Adjust Left-Right



To Adjust up-down



To Adjust Depth

